

1

2

3

4

5

6

A

B

C

D

E

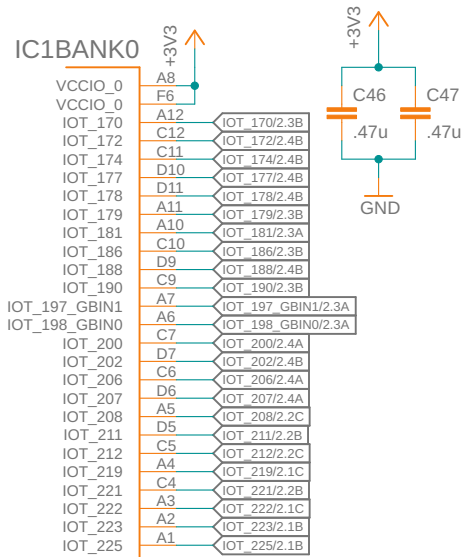
A

B

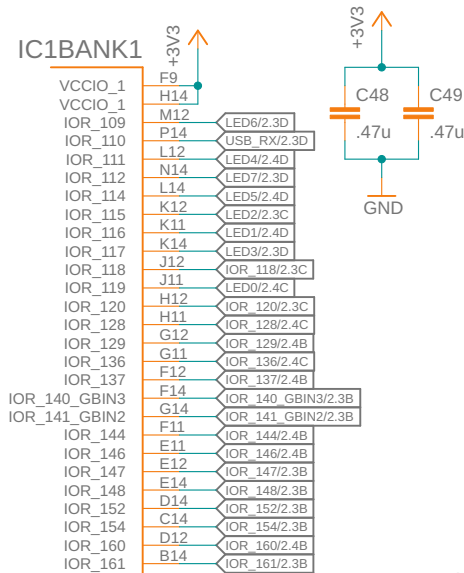
C

D

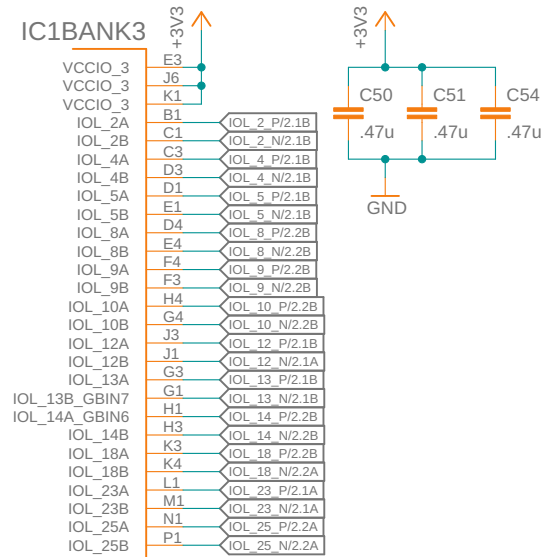
E



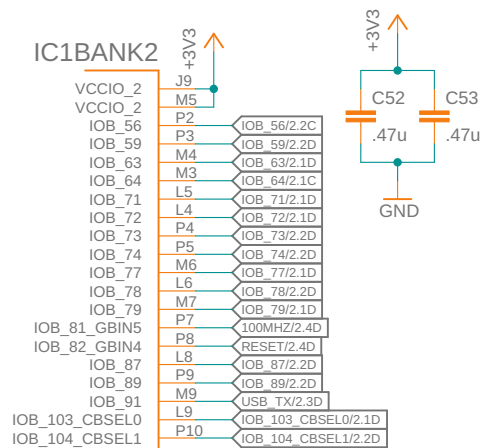
ICE40HX8K-CB132IC



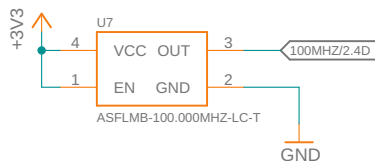
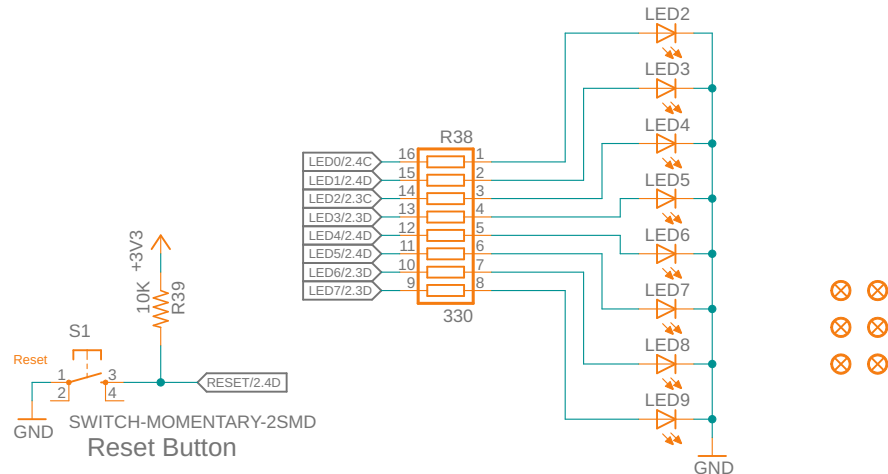
ICE40HX8K-CB132IC



ICE40HX8K-CB132IC



ICE40HX8K-CB132IC



TITLE: alchitry_copper v2

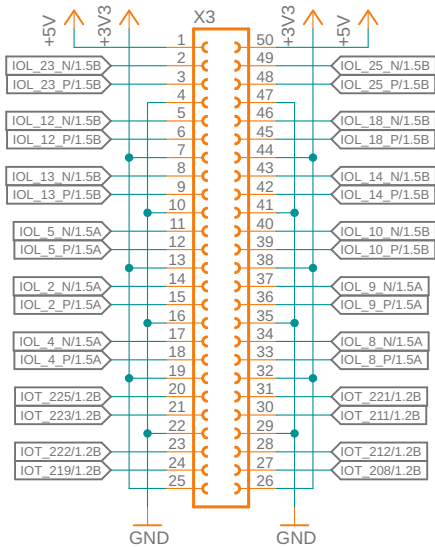
Document Number:

REV:

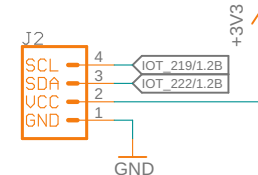
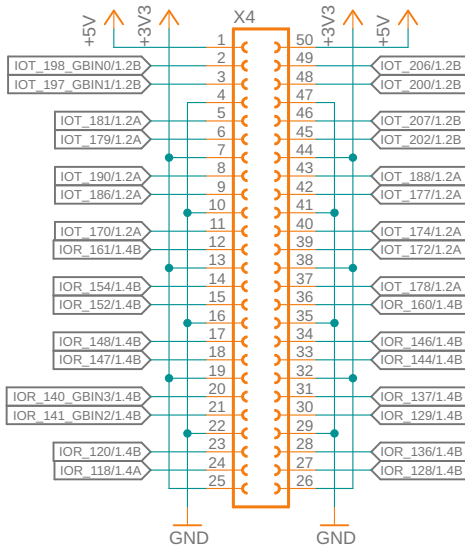
Date: 8/3/2023 10:06 AM

Sheet: 1/4

Bank A

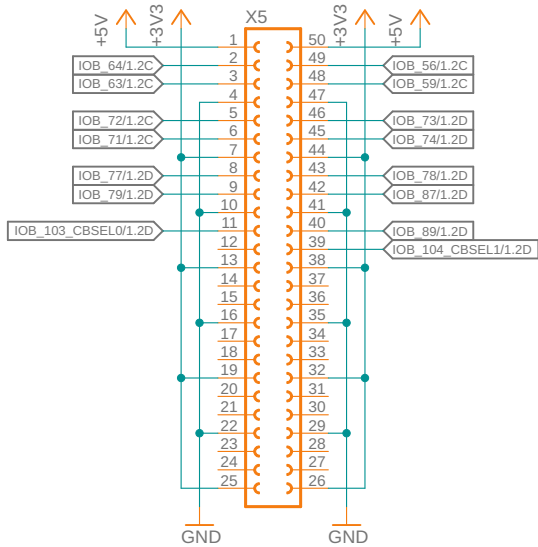


Bank B

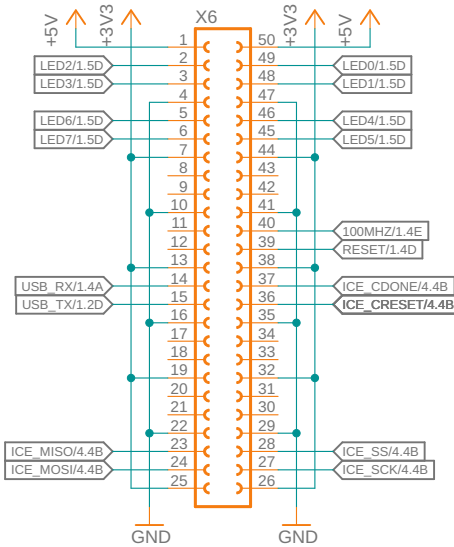


9

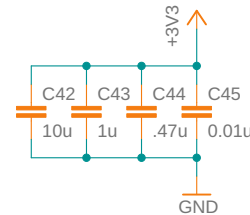
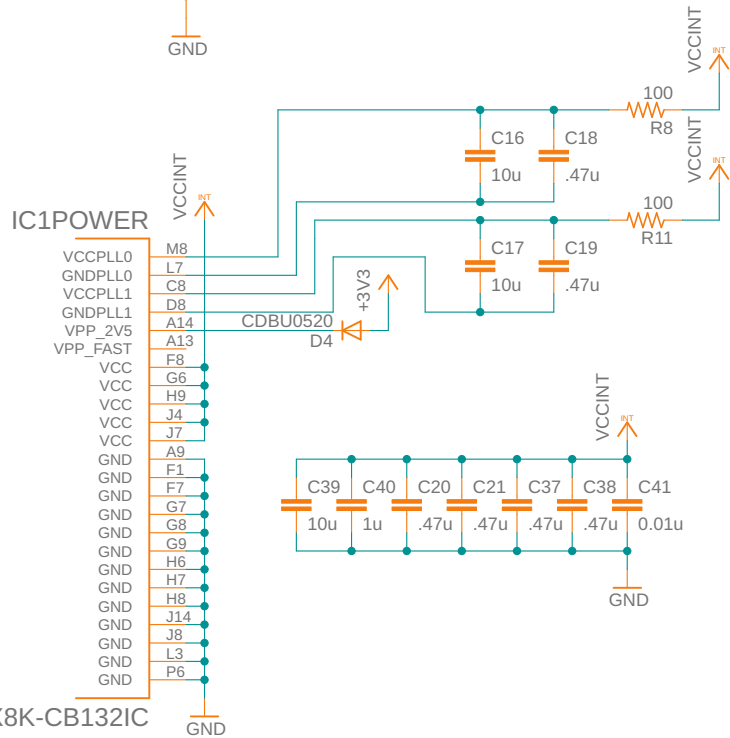
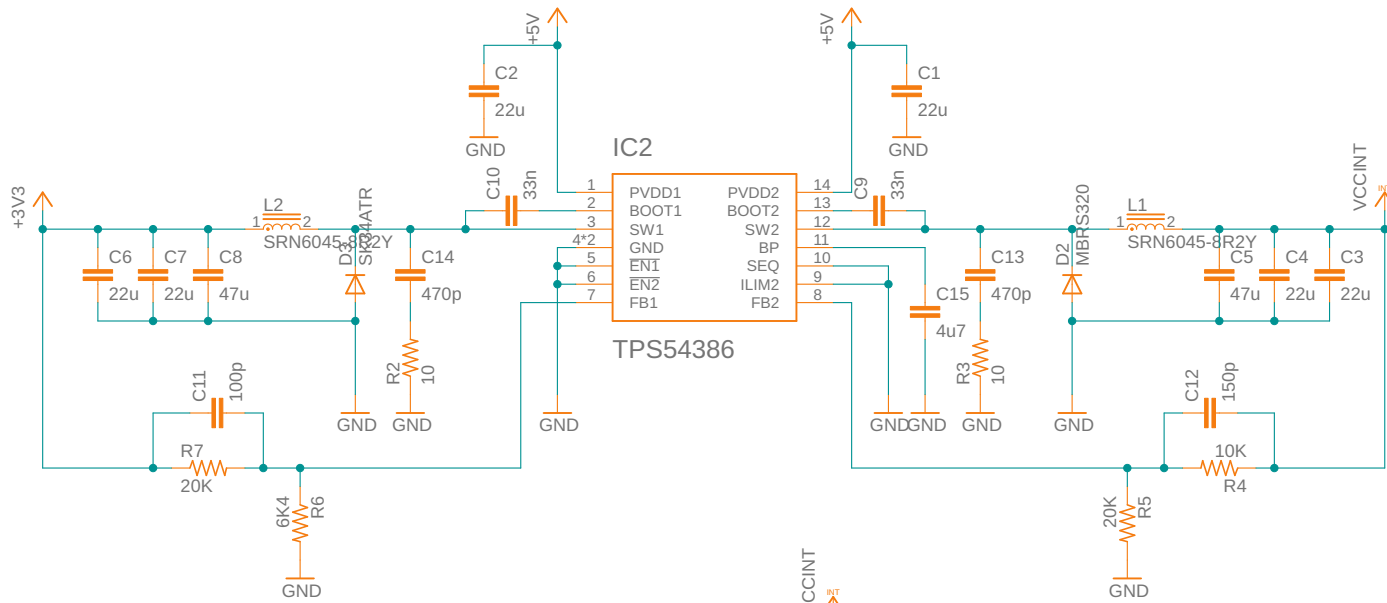
Bank C



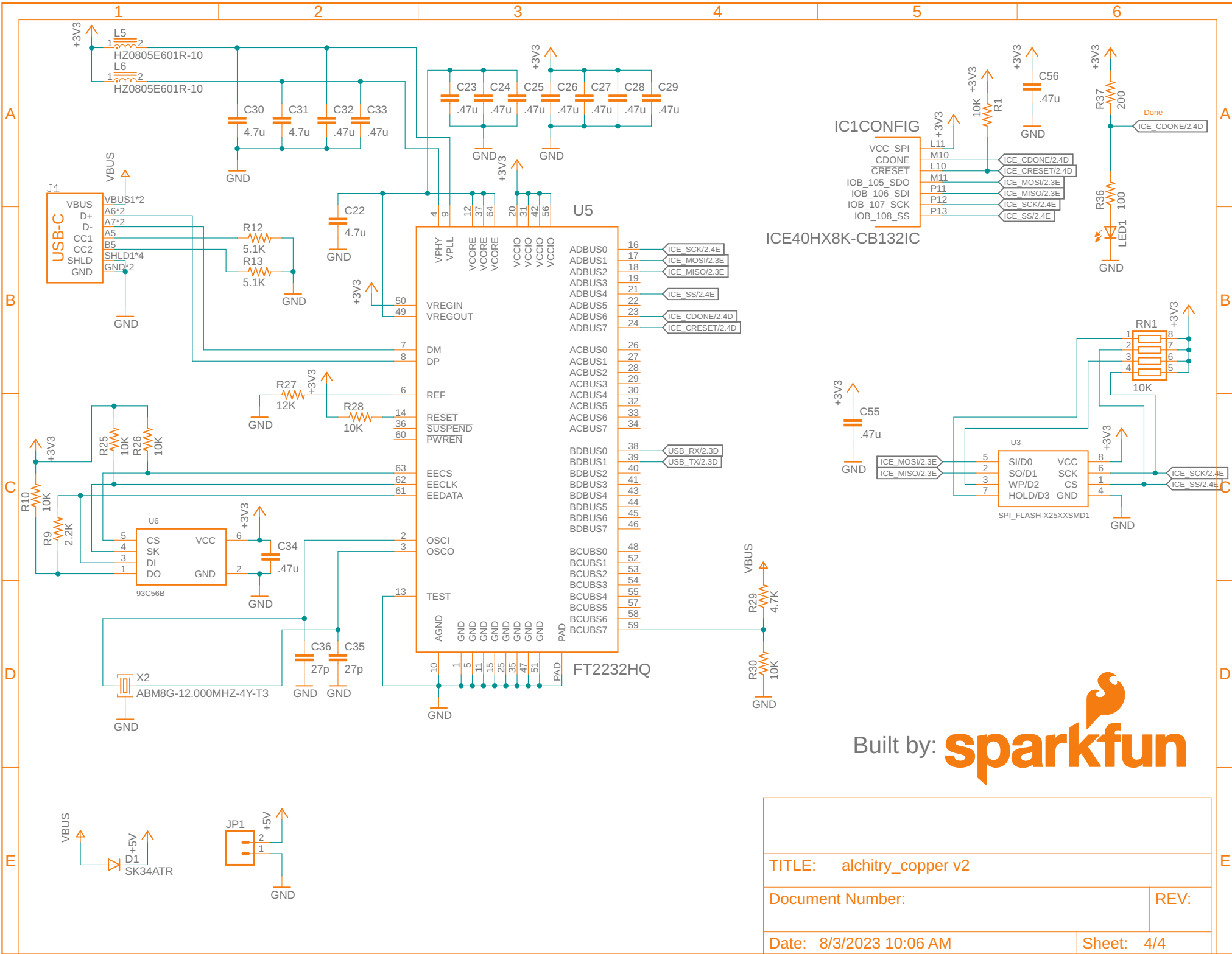
Bank D



TITLE: alchitry_copper v2	
Document Number:	REV:
Date: 8/3/2023 10:06 AM	Sheet: 2/4



TITLE: alchitry_copper v2	
Document Number:	REV:
Date: 8/3/2023 10:06 AM	Sheet: 3/4



Built by: **sparkfun**

TITLE: alchitry_copper v2	
Document Number:	REV:
Date: 8/3/2023 10:06 AM	Sheet: 4/4